







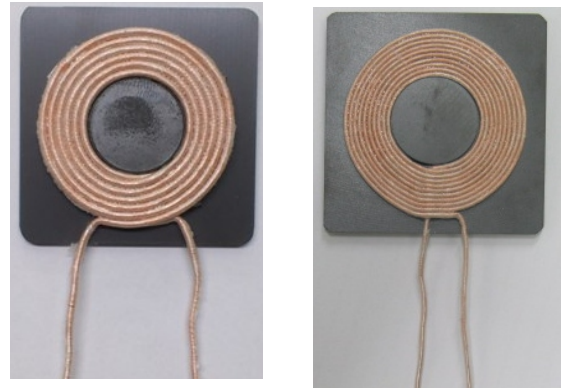
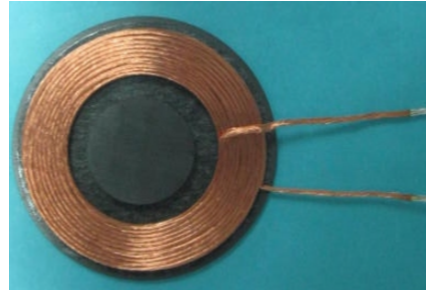




-  Designed for Portable Electronic Device application
-  Low resistance and low temperature rise
-  High efficiency & suitable for Wireless power application
-  For 10-30W Power application
-  Custom shape or dimension is available
-  Various operating temperature range available
-  RoHS and REACH compliant
-  Safe and Reliable



ELECTRICAL SPECIFICATION @ 25°C		
Part ¹ Number	Type	Inductance ² (uH typ)
Y31-60102F	Coil Module - TPR#MP1A	11.5
Y31-60069F	Coil Module - TPR#MP1B	33.6
Y31-60103F	Coil Module - TPR#MP1C	15.4
Y31-70034F-1	Coil Module - TPR#MP3	44.0
Y31-60053F	Coil Module - MP-A1,MP-A7	24.0
Y31-60159F	Coil Module - MP-A2	10.0
Y31-60177F	Coil Module - MP-A3	10.1
Y31-60183F	Coil Module - MP-A4	8.9
Y31-60152F	Coil Module - MP-A5	10.0
Y31-60224FH	Coil Module - MP-A8	8.5/7.5
Y31-60215F	Coil Module - MP-B1	6.0
Y31-60154F	Coil Module - MP- (Tx)-10W	9.0
Y31-60155F	Coil Module - MP-(Rx)-10W	7.0
Y31-60058F	Coil Module - Tx - 30W	9.8
Y31-60059F	Coil Module - Rx - 30W	7.2
Y31-60214F	Coil Module - Rx	8.0
Y31-60217FH	Coil Module - Rx	7.3
Y31-60226F	Coil Module - Rx	8.2

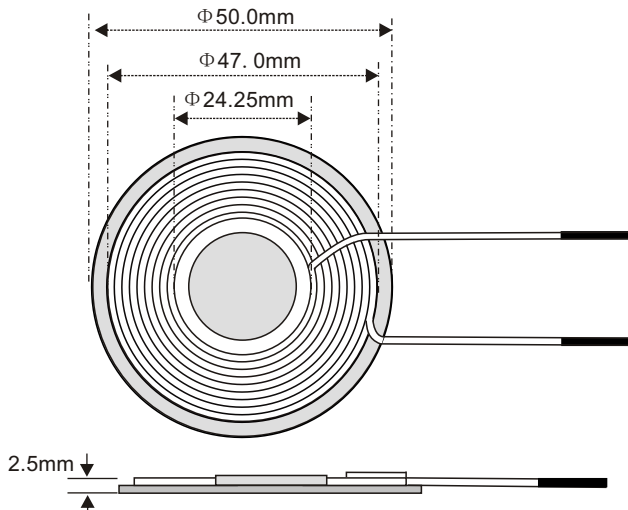
Notes:

1. Contact EEMPL for customized version and availability.
2. For custom design, please contact EEMPL for support.

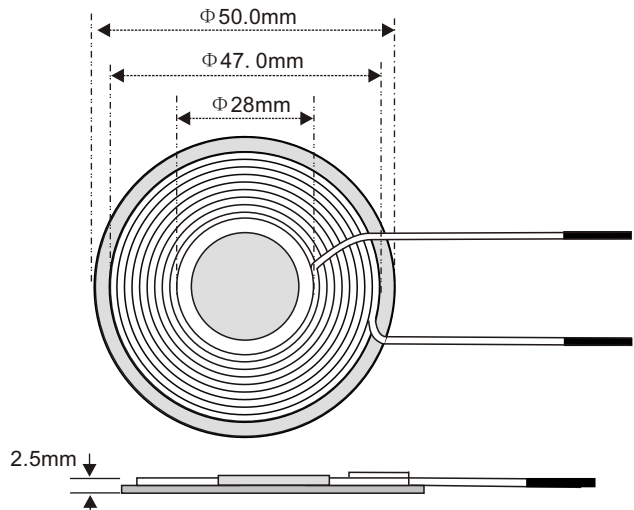


MECHANICAL DIMENSION

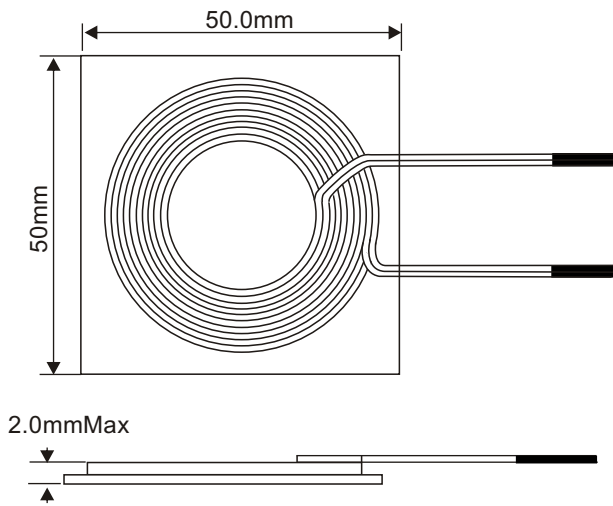
Y31-60102F (TPR#MP1A)



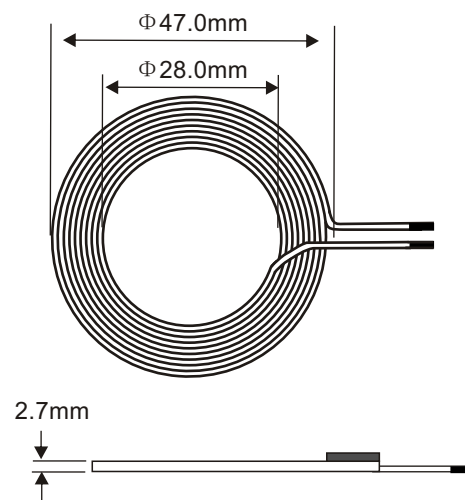
Y31-60069F (TPR#MP1B)



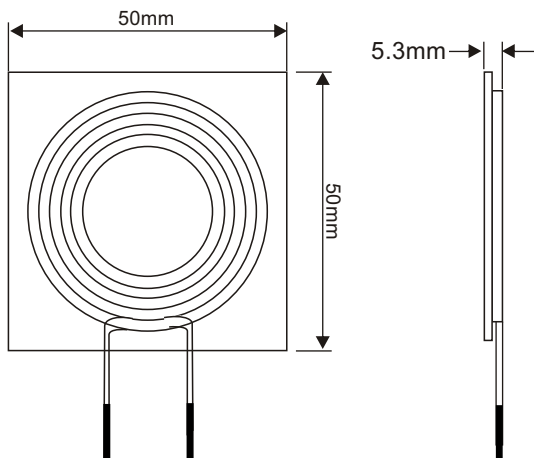
Y31-60103F (TPR#MP1C)



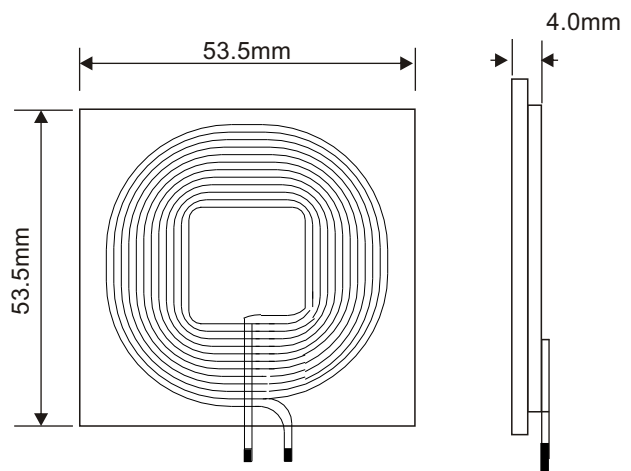
Y31-70034F-1 (MP#3)



Y31-60053F (MP-A1),(MP-A7)



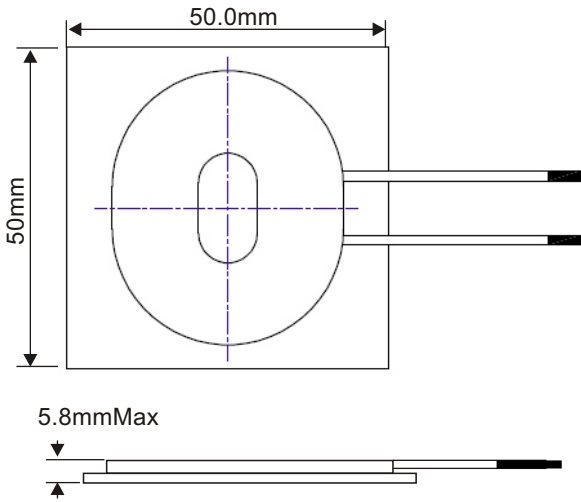
Y31-60159F (MP-A2)



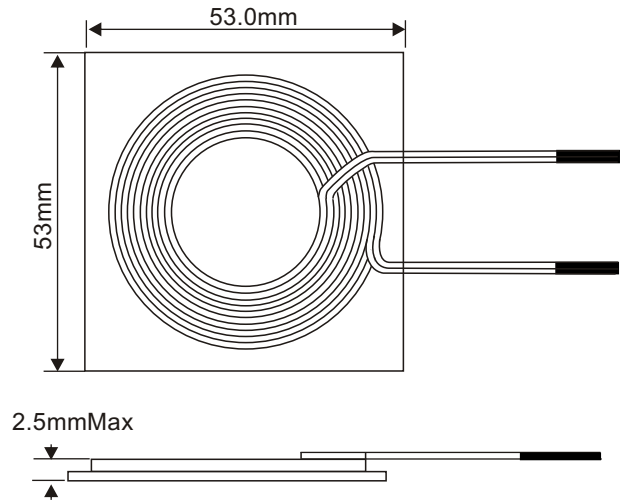


MECHANICAL DIMENSION

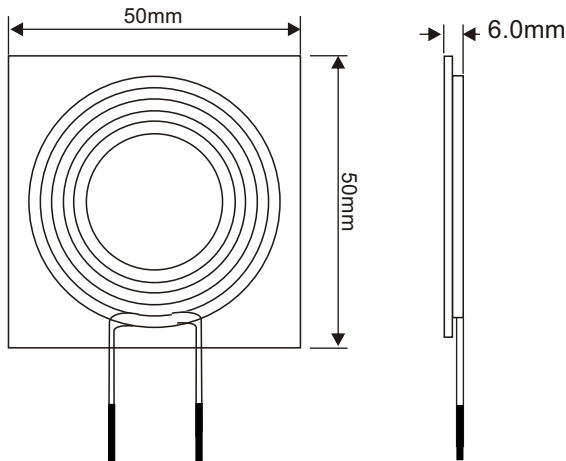
Y31-60177F (MP-A3)



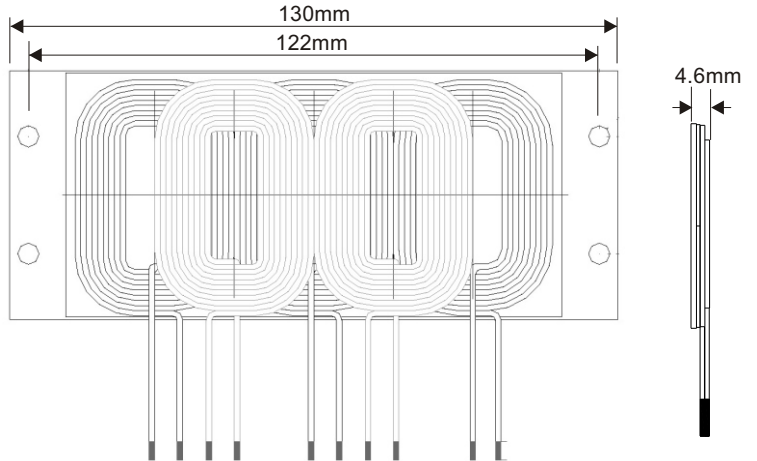
Y31-60183F (MP-A4)



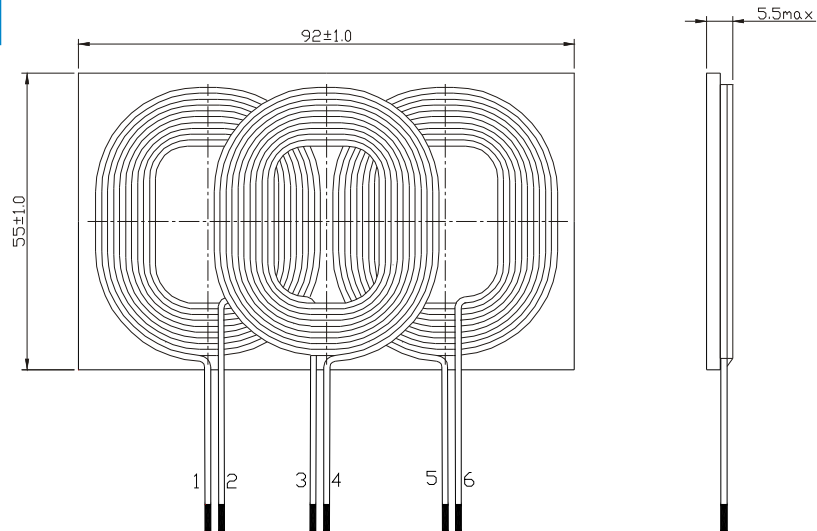
Y31-60152F (MP-A5)



Y31-60215F (MP-B1)



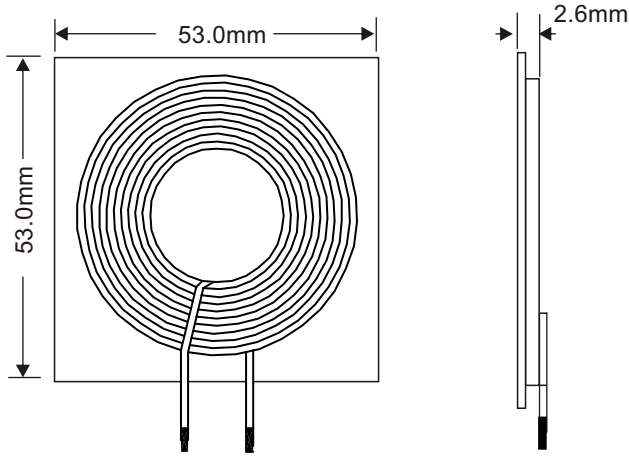
Y31-60224FH (MP-A8)



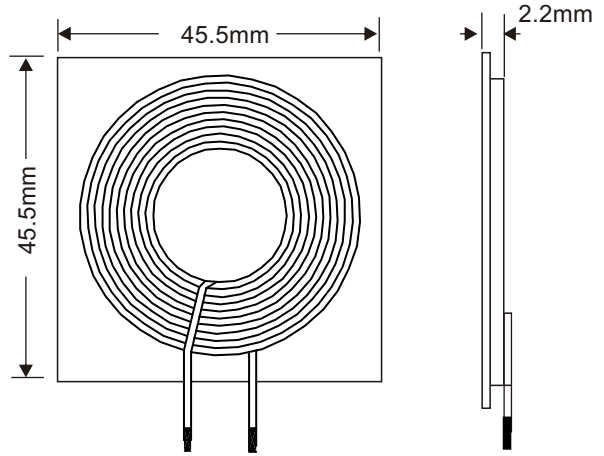


MECHANICAL DIMENSION

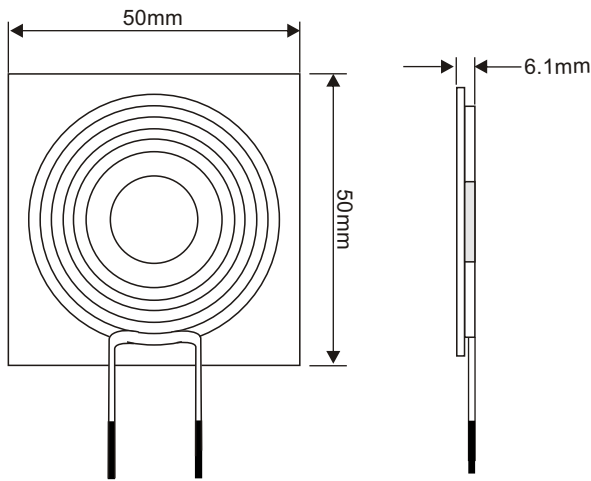
Y31-60154F



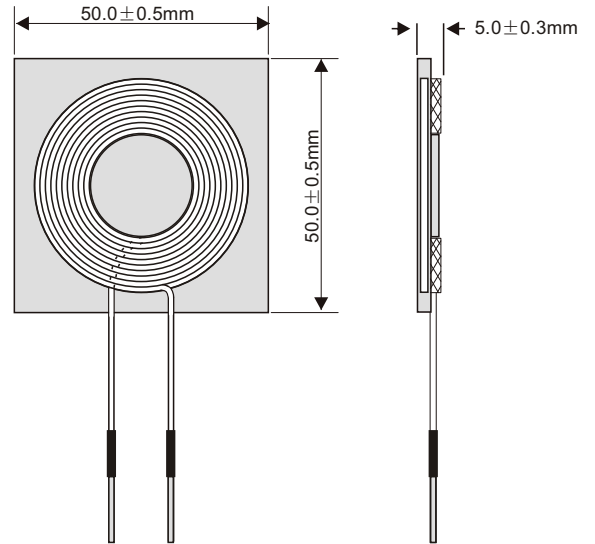
Y31-60155F



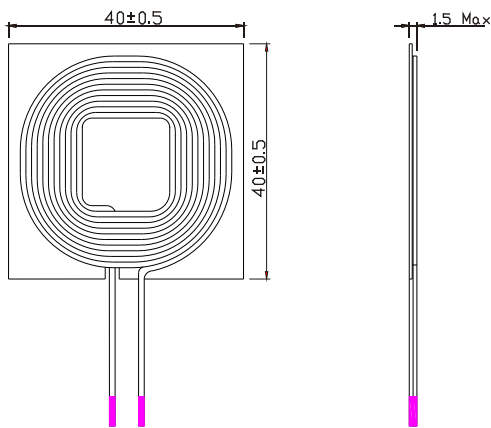
Y31-60058F



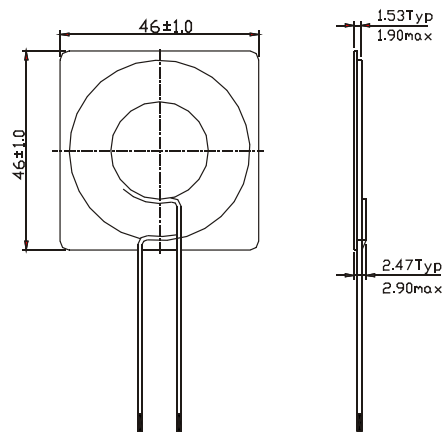
Y31-60059F



Y31-60214F



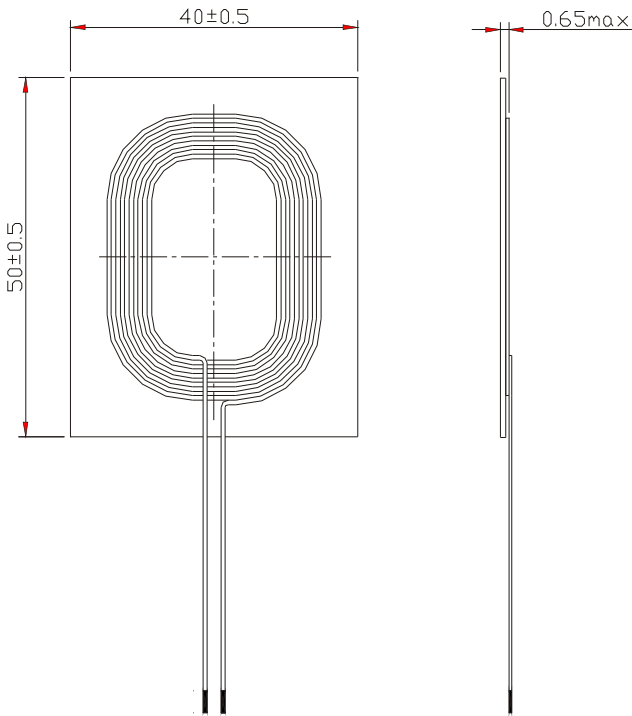
Y31-60217FH





MECHANICAL DIMENSION

Y31-60226F



FOR MORE INFORMATION, PLEASE CONTACT

HEADQUARTER
FLAT G, 5/F, Valiant Industrial Centre,
2-12 Au Pui Wan Street,
Fotan, N.T., Hong Kong
Tel: (852) 2954 3333; Fax: (852) 2954 3304
Email: eempl@eleceltek.com
Website: <http://www.eemagnetic.com>

Information herein is for reference only and subject to change without notice. It does not constitute any representation, warranty or commitment of the company in respect of the products in any aspect. All logos, brands and product names mentioned herein are trademarks or registered trademarks of their respective owners. The company does not assume any liability arising out of the application or use of any product or circuit described herein. Copyrights 2017, E & E Magnetic Products Limited.

FLAT G, 5/F, Valiant Industrial Centre, 2-12 Au Pui Wan Street, Fotan, N.T. Hong Kong

Tel: (852) 2954 3333
Fax: (852) 2954 3304