
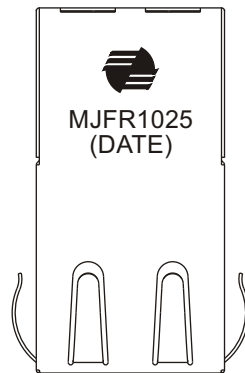


REVISIONS			
REV.	DESCRIPTION	ECN NO.	DATE
01	FIRST RELEASE	N/A	03/07/17

PAGE 4 IS FOR INTERNAL ONLY

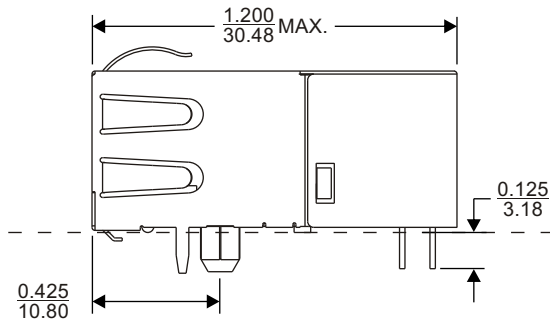
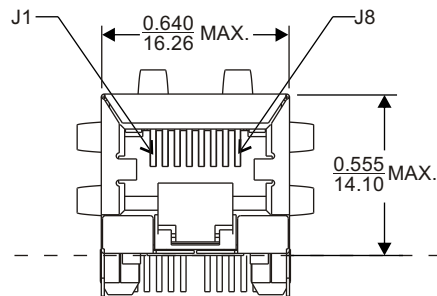
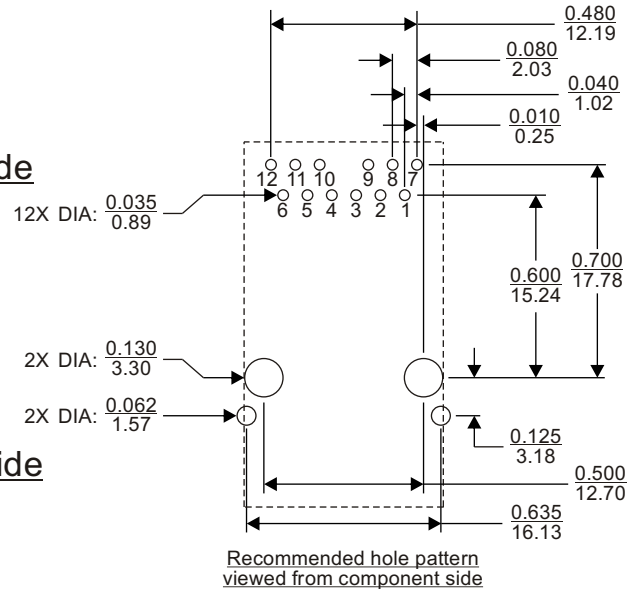
TITLE
**MODULAR JACK, RJ45, SINGLE,
 THRU-HOLE, 10G BASE-T**

<p align="center"><u>WARNING !</u></p> <p>ALL SHEETS OF THIS DOCUMENT ARE CONTROLLED DOCUMENTATION AND ARE NOT TO BE RELEASED OUTSIDE OF E&E OR ITS SUB-CONTRACTORS WITHOUT AUTHORIZATION.</p>	<p>UNLESS OTHERWISE SPECIFIED, DIMENSIONS ARE IN INCH/mm.</p> <p align="center"><u>TOLERANCE ARE:</u></p> <table border="0"> <tr> <td><u>INCH</u></td> <td><u>mm</u></td> <td><u>ANGLE</u></td> </tr> <tr> <td>.XXX ±.005</td> <td>.XX ± .13</td> <td>X.X ± 0.3</td> </tr> <tr> <td>.XX ± .02</td> <td>.X ± .5</td> <td>X. ± 1</td> </tr> </table>	<u>INCH</u>	<u>mm</u>	<u>ANGLE</u>	.XXX ±.005	.XX ± .13	X.X ± 0.3	.XX ± .02	.X ± .5	X. ± 1	APPROVALS	DATE	 E & E Magnetic Products Ltd.
		<u>INCH</u>	<u>mm</u>	<u>ANGLE</u>									
		.XXX ±.005	.XX ± .13	X.X ± 0.3									
		.XX ± .02	.X ± .5	X. ± 1									
		<small>DRAWN BY</small> J.S.CHEN	03/07/17	<small>DRAWING NO./MODEL</small> MJFR1025		<small>REV</small> 01							
<small>PROJ. ENG</small> J.J. LI	03/07/17	<small>SCALE</small> DO NOT SCALE		<small>PAGE</small> 1 <small>OF</small> 4									
<small>APPROVED BY</small> J.J. LI	03/07/17												
<small>Q.A.</small> D. LUO	03/07/17												



Chip side

Cable side



NOTES:

1. DIMENSIONS ARE SPECIFIED IN $\frac{\text{INCHES}}{\text{mm}}$ WITH HIGHER PRECEDENCE IN INCHES.
2. UNLESS OTHERWISE SPECIFIED, ALL TOLERANCE ARE $\pm \frac{.010}{0.25}$.
3. "(DATE)" INCLUDES AT LEAST THE MANUFACTURING DATE CODE (IN YYWW FORMAT) PLUS TWO CHARACTER COUNTRY CODE.
4. RoHS COMPLIANT PER EU DIRECTIVE 2011/65/EU. (WITHOUT EXEMPTION OF SOLDER CONTENT).

MECHANICAL OUTLINE



E & E Magnetic Products Ltd.

DRAWING NO./MODEL

MJFR1025

REV

01

SCALE

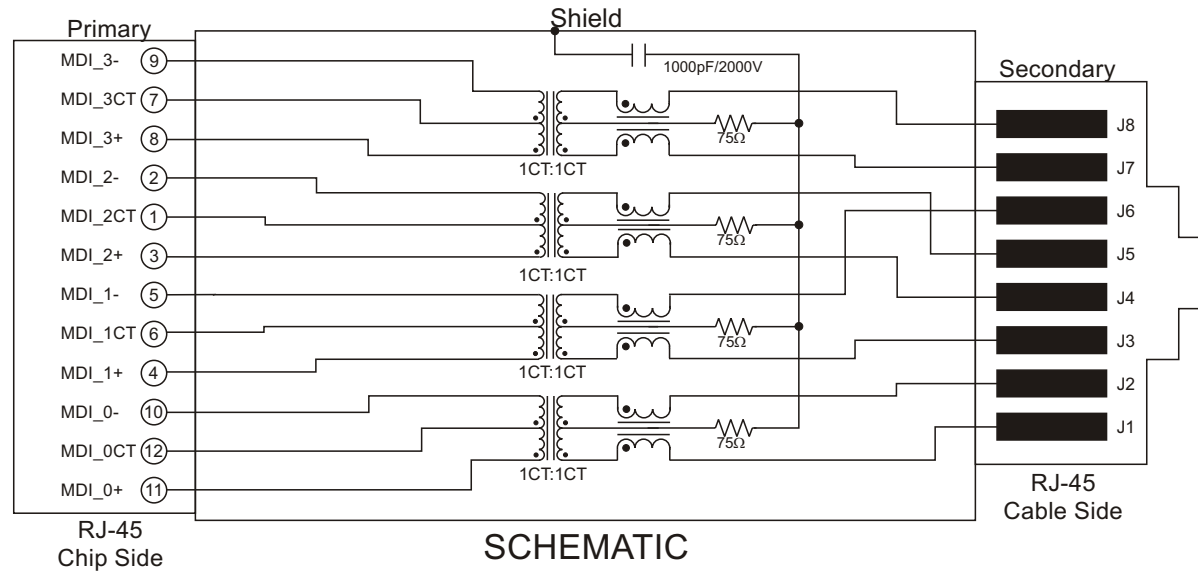
DO NOT SCALE

PAGE

2

OF

4




ELECTRICAL SPECIFICATION @25°C:

PARAMETERS	UNIT	EACH CHANNEL
Turns Ratio (Primary):(Secondary)	-	1CT:1CT ± 2%
Polarity (Primary):(Secondary)	-	Per Schematic
Inductance, Ls(Primary) @100kHz, 0.1Vrms	uH	100 Min
Insertion Loss @100KHz	dB	3.0 Max
Insertion Loss @1-400MHz	dB	2.0 Max
Return Loss @1-40MHz	dB	18.0 Min
△ 6. Return Loss @40-500MHz	dB	17-10Log(F/40) Min
CM-DMRR @1-250MHz	dB	30.0 Min
CM-DMRR @250-500MHz	dB	20.0 Min
Crosstalk @1-100MHz, between channels	dB	30.0 Min
Crosstalk @100-500MHz, between channels	dB	20.0 Min
HIPOT (Primary):(Secondary)	Vrms	1500 Min

5. OPERATING TEMPERATURE : 0°C TO +70°C.

6. "F" REPRESENTS THE TEST FREQUENCY SPECIFIED IN MHz.

 E & E Magnetic Products Ltd.		
DRAWING NO./MODEL		REV
MJFR1025		01
SCALE	PAGE	OF
DO NOT SCALE	3	4