

SAFETY CRITICAL PART		REVISIONS			
MATERIAL LIST IS REQ'D?	YES	REV.	DESCRIPTION	ECN NO.	DATE
AGENCY FILE / CERTIFICATE NUMBER		01	FIRST RELEASE	N/A	01/29/07
UL 1863	E230849				
CAN/CSA-C22.2 NO.182-4-M90.1990	E230849				

**PART NUMBER CONFIGURATION**

MJX11UXXXXX8-WB110

Gold plating thickness over contact area.  
 "A" : 10 micro-inch min.  
 "B" : 50 micro-inch min.  
 "C" : 30 micro-inch min.

LED Color (right)  
 Color code refer to right LED.

LED Color (left)  
 "G" : Green      "D" : Bi-color (Orange / Green)  
 "Y" : Yellow     "L" : Bi-color (Yellow / Green)  
 "N" : No LED

Panel-tab configuration  
 "1" : Without panel-tab.  
 "2" : With panel-tab on top, bottom, left & right sides.

Material composition option  
 "-" : Standard Version, with Lead(Pb).  
 "R" : RoHS compliant per EU Directive 2002/95/EC.  
 "F" : RoHS compliant per EU Directive 2002/95/EC(without exemption of solder content).

**PAGE 5 IS FOR INTERNAL ONLY**


TITLE  
 MODULAR JACK, RJ45, SINGLE,  
 TH, 100BASE-T(PoE), NIC, EXT TEMP

**WARNING !**  
 ALL SHEETS OF THIS DOCUMENT ARE CONTROLLED DOCUMENTATION AND ARE NOT TO BE RELEASED OUTSIDE OF E&E OR ITS SUB-CONTRACTORS WITHOUT AUTHORIZATION.

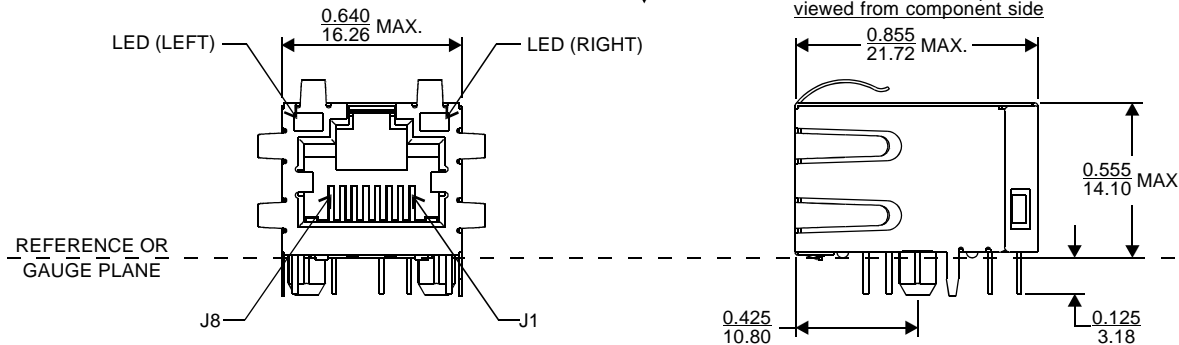
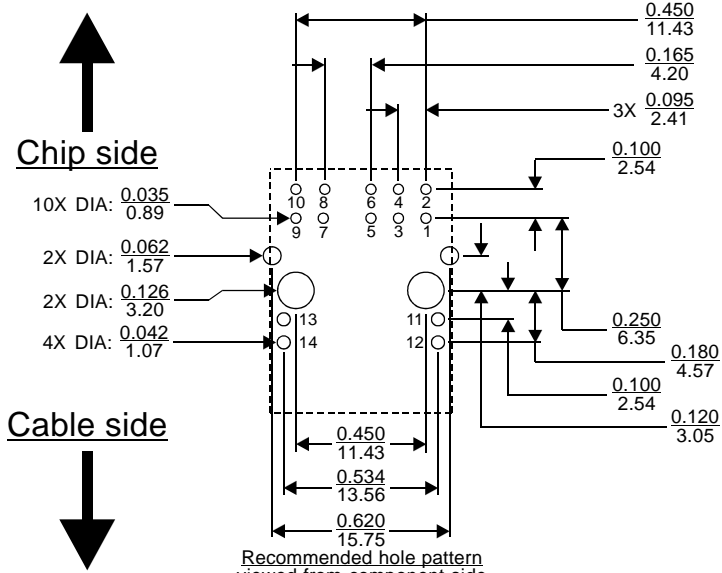
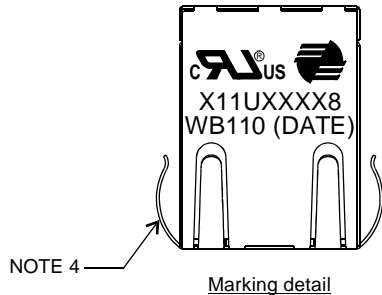
UNLESS OTHERWISE SPECIFIED, DIMENSIONS ARE IN INCH/mm.

TOLERANCE ARE:  
 INCH      mm      ANGLE  
 .XXX ± .005    .XX ± .13    X.X ± 0.3  
 .XX ± .02    .X ± .5      X. ± 1

APPROVALS	DATE
DRAWN BY E. IP	01/29/07
PROJ. ENG J.YIP	01/29/07
APPROVED BY V. TSUI	01/29/07
Q.A. C.M. TSUI	01/29/07

 **E & E Magnetic Products Ltd.**

DRAWING NO./MODEL <b>MJX11UXXXXX8-WB110</b>		REV <b>01</b>
SCALE <b>DO NOT SCALE</b>	PAGE <b>1</b>	OF <b>5</b>



NOTES:

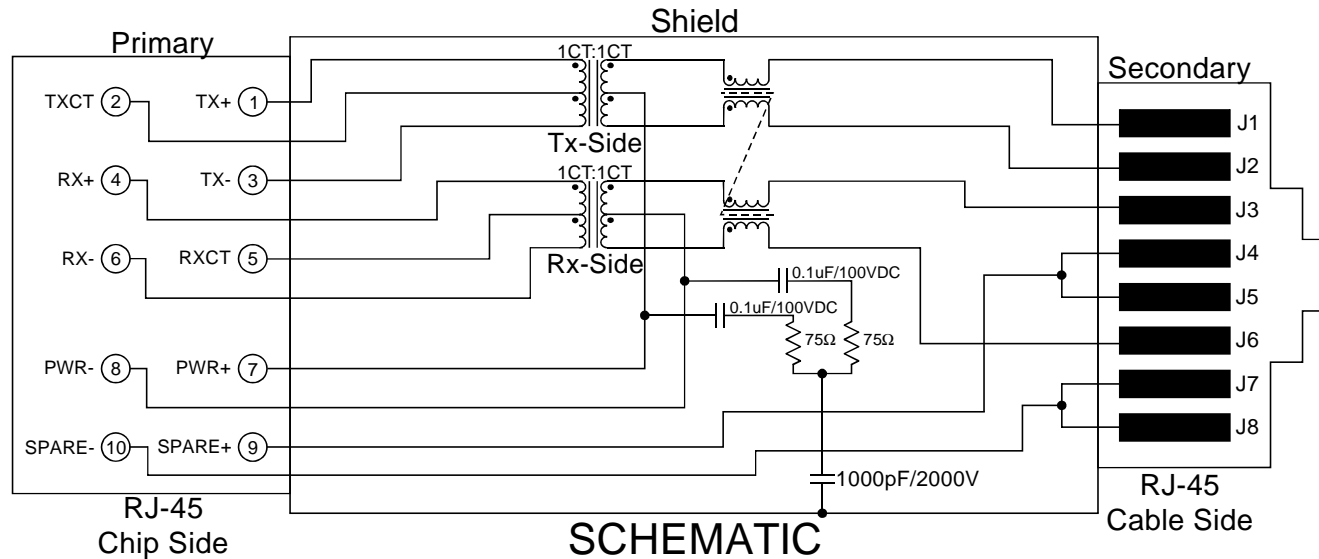
- DIMENSIONS ARE SPECIFIED IN  $\frac{\text{INCHES}}{\text{mm}}$  WITH HIGHER PRECEDENCE IN INCHES.
- UNLESS OTHERWISE SPECIFIED, ALL TOLERANCE ARE  $\pm \frac{.010}{0.25}$ .
- “(DATE)” INCLUDES AT LEAST THE MANUFACTURING DATE CODE (IN YYWW FORMAT) PLUS TWO CHARACTER COUNTRY CODE.
- PANEL TABS ARE OPTIONAL. PLEASE REFER TO COVER PAGE FOR DETAILS.
- OMIT PINS 11, 12, 13, 14 FOR NO LED VERSION.
- THE MARKING OF PART NUMBER DIRECTLY REFER TO ITS PART NUMBER. THE LETTER BEFORE “11U...” EXISTS ONLY FOR RoHS COMPLIANT VERSION. FOR EXAMPLE, FOR PART NUMBER “MJF11U2GYA8-WB110”, THE MARKING DETAIL WILL BE “F11U2GYA8-WB110”. FOR PART NUMBER “MJ-11U2GGA8-WB110”, THE MARKING DETAIL WILL BE “11U2GGA8-WB110”.

MECHANICAL OUTLINE



E & E Magnetic Products Ltd.

DRAWING NO./MODEL		REV
MJX11UXXX8-WB110		01
SCALE	PAGE	OF
DO NOT SCALE	2	5



**ELECTRICAL SPECIFICATION @25°C:**

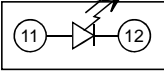
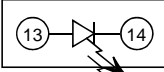
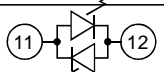
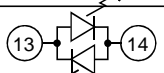
PARAMETERS	UNIT	TX-SIDE	RX-SIDE
Turns Ratio (Primary):(Secondary)	-	1CT:1CT ± 3%	1CT:1CT ± 3%
Polarity (Primary):(Secondary)	-	Per Schematic	Per Schematic
Inductance, Ls@100kHz, 0.1Vrms, 8mADC	uH	350 Min	350 Min
Insertion Loss @0.1-100MHz	dB	1.2 Max	1.2 Max
Return Loss @1-30MHz	dB	16.0 Min	16.0 Min
Return Loss @40MHz	dB	14.0 Min	14.0 Min
Return Loss @50MHz	dB	13.0 Min	13.0 Min
Return Loss @60-80MHz	dB	12.0 Min	12.0 Min
CMRR @32MHz (for reference only)	dB	42.0 Min	42.0 Min
CMRR @62MHz (for reference only)	dB	37.0 Min	37.0 Min
CMRR @100MHz (for reference only)	dB	33.0 Min	33.0 Min
Crosstalk @0.1-100MHz (TX<=>RX) (for reference only)	dB	33.0 Min	
HIPOT (Primary):(Secondary)	Vrms	1500 Min	1500 Min

7. OPERATING TEMPERATURE : -40°C TO +85°C.
8. BALANCED DC LINE CURRENT CAPABILITY (J1,J2-7) & (J3,J6-8) & (J4,J5-9) & (J7,J8-10) : 350mADC MAXIMUM.




**E & E Magnetic Products Ltd.**

DRAWING NO./MODEL		REV
<b>MJX11UXXXX8-WB110</b>		<b>01</b>
SCALE	PAGE	OF
<b>DO NOT SCALE</b>	<b>3</b>	<b>5</b>

LED	COLOR AND POLARITY							
 LED (RIGHT)	LED (LEFT)				LED (RIGHT)			
	COLOR CODE	COLOR	POLARITY		COLOR CODE	COLOR	POLARITY	
			PIN 13	PIN 14			PIN 11	PIN 12
	G	GREEN	+	-	G	GREEN	+	-
Y	YELLOW	+	-	Y	YELLOW	+	-	
 LED (LEFT)								
BI-COLOR LED	COLOR AND POLARITY							
 LED (RIGHT)	LED (LEFT)				LED (RIGHT)			
	COLOR CODE	COLOR	POLARITY		COLOR CODE	COLOR	POLARITY	
			PIN 13	PIN 14			PIN 11	PIN 12
	D	GREEN	+	-	D	GREEN	+	-
		ORANGE	-	+		ORANGE	-	+
	L	GREEN	+	-	L	GREEN	+	-
		YELLOW	-	+		YELLOW	-	+
	 LED (LEFT)							

**LED SPECIFICATION @20mA FORWARD CURRENT**

Color	GREEN	YELLOW	ORANGE
Wavelength	565nm Typ	590nm Typ	607nm Typ
Forward Voltage	2.5V Max	2.5V Max	2.5V Max
Forward Voltage	2.2V Typ	2.1V Typ	2.05V Typ

 <b>E &amp; E Magnetic Products Ltd.</b>		
DRAWING NO./MODEL		REV
<b>MJX11UXXXX8-WB110</b>		<b>01</b>
SCALE	PAGE	OF
<b>DO NOT SCALE</b>	<b>4</b>	<b>5</b>